

清水泵系列  
Clean Water Pump Series

**TSWA系列卧式多级离心泵**  
tswa series horizontal multi-stage centrifugal pump

**SEAPUMP**

**上海海洋泵阀制造有限公司**  
SHANGHAI SEA PUMP & VALVE MFG CO.,LTD



## 企业简介+ ABOUTUS

在离心泵制造领域,上海海洋泵阀制造有限公司是中国大型的制造商之一,是专业生产水泵、生活消防成套智能控制给水设备及水泵智能电气控制设备的大型企业,下设十六大分公司及二十几个售后服务中心,遍布全国各大中城市,为海洋创造快速的售后服务打下坚实的基础。

海洋泵阀始终致力于科技和管理的创新,开发出适用于工矿企业、城市供水、城市污水处理、农田排灌、石油化工、高层建筑供水消防、空调供暖等各行各业的用泵。产品发往东南亚和欧洲等地区,以可靠的性能和性能和合理的价格受到国内外用户的青睐。

海洋泵阀现有员工800多名,其中工程技术人员50余名,占地面积80余亩,固定资产2亿元,拥有现代化的微机控制的测试设备,保证了每一台产品合格出厂。年生产各类水泵90000台,"上海海洋泵阀制造有限公司"已成为以水泵生产为龙头,集科、工、贸于一体的多门类,管理现代化的大型企业。

海洋泵阀目前能生产30多个系列,上万种规格,适用于工矿企业、城市供水、城市污水处理、石油化工、农业排灌等行业的用泵。主导产品DL、LG、GDL、CDL、TSWA系列高层建筑给水泵被国家建设部批准为工程建设推荐产品。

海洋泵阀秉承“产品决定前途、质量决定命运、效益决定兴衰、素质决定成败”的经营理念,不断开拓进取,铸就客户百分之百满意工程:ISO9001-2008质量体系品质保证,以及快速反应售后服务和定期咨询双重服务保障。

海洋泵阀以人为本,以诚待人,以国际质量管理体系为管理标准不断拓展相关领域--承揽环保工程、提供成套生活供水和消防设施,制造出优质、高效、节能的国际产品,服务于人类建设美好家园!

In the centrifugal pump manufacturing field, Shanghai Sea Pump & Valve Manufacturing Co.,Ltd. is one of the biggest manufacturers in China and a big joint-stock enterprise specializing in producing water pumps, domestic and fire intelligent control water supply systems and intelligent electric control devices for water pumps. It has 16 branches and over 20 after service centers throughout middle and big cities of China, laying a solid foundation for Sea's fast after service.

Sea pump & valve has all along been committed to innovation in technology and management to develop pumps applicable for all industries, like industrial and mining enterprises, urban water supply, urban sewage treatment, farmland irrigation and drainage, petrochemical industry, water supply and fire control for high-rise buildings, air conditioning and heating. Its products are exported to Southeast Asia, Europe and so on, which have won favor of both domestic and foreign users on the strength of their reliable performance and fair price.

Sea pump & valve now has more than 800 employees, including more than 50 engineers and technicians. It covers a floor area of 80-plus mu and has fixed assets exceeding RMB200 million. Boasting modern testing equipment with microcomputer control, it guarantees acceptability of every product to be delivered. With an annual production capacity of 90000 sets of water pumps of different kinds, Shanghai Sea Pump & Valve Manufacturing Co., Ltd. has become a big and diversified enterprise with modern management, which is led by production of water pumps and integrates scientific research, industry and trade.

At present Sea Pump & Valve is able to produce more than 30 pump lines with more than tens of thousands of specifications, applicable for such industries as industrial and mining enterprises, urban water supply, urban sewage treatment, petrochemical industry and agricultural irrigation and drainage. Its main products, DL, LG, GDL, CDL and TSWA high-rise water supply pump lines, have been approved as Recommended Product for Engineering Construction by the Ministry of Construction.

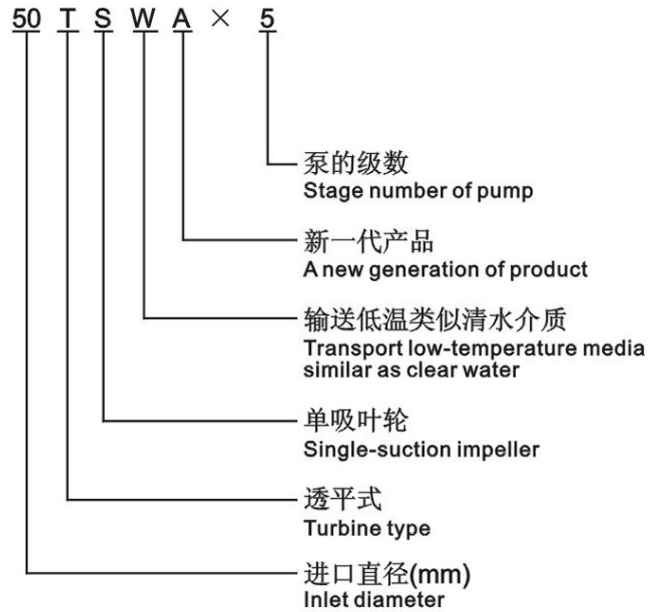
Upholding this operational concept: products tell the prospect, quality tells the fate, benefits tell ups or downs while accomplishments tell success or failure. Sea Pump & Valve has been opening up and advancing continually to make project satisfying customers 100%; quality assurance by ISO9001-2008 plus double service guarantee: quick-response after service and periodical consultations.

Being people-friendly and treating others sincerely, Sea Pump & Valve has been extending towards relevant fields with the management standard of international Quality Management System—undertaking environmental protection projects, providing domestic water supply and fire fighting systems, manufacturing high-quality, high-efficiency and energy-saving international products and serving the mankind to build a beautiful home!



TSWA系列卧式多级离心泵  
TSWA series horizontal multi-stage centrifugal pump

### 型号意义 Type designation



### 产品概况

TSWA型卧式多级离心泵，供输送不含固体颗粒的清水及物理化学性质类似于水的液体之用。主要用于高层建筑生活、消防、喷淋供水，也可应用于厂矿给排水、输送液体的流量范围为15~191m<sup>3</sup>/h，扬程范围为16.8~292m，配套功率范围为2.2~185kW，口径范围为φ50~φ150mm。

TSWA型介质使用温度不超过80℃。

### 产品特点

- 1、泵结构紧凑，体积小，外形美观，占地面积小，节省建筑费用；
- 2、泵的转子部件由两端的滚动轴承支撑，泵运行平稳；
- 3、泵的进口为水平方向，出口为垂直向上布置，简化管路；
- 4、泵的电机为卧式结构，便于维修。

### Product introduction

TSWA horizontal multi-stage centrifugal pump is used to transport clear water containing no solid particles and other liquids with similar physical and chemical properties as water. It is mainly used for domestic, fire and spraying water supply to high-rise buildings as well as for water supply and drainage of plants and mines. The flow range of transported liquids is within 15~191m<sup>3</sup>/h, lift head range within 16.8~292m, related power range within 2.2~185kW and diameter range within φ40~φ150mm.

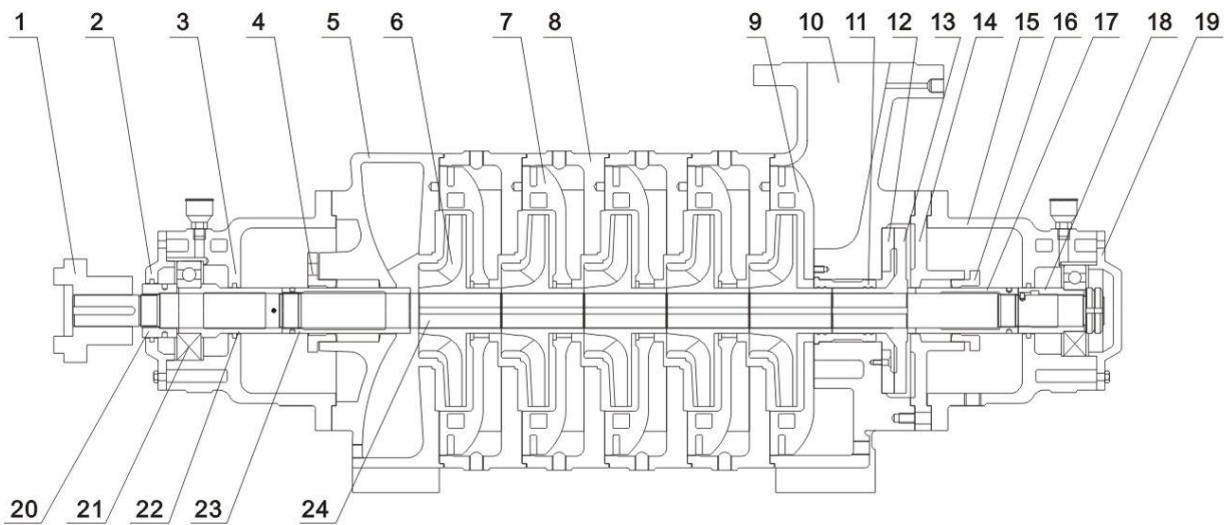
The medium's working temperature for TSWA is not higher than 80℃.

### Product features

1. The pump is characterized by its compact structure, small volume, nice look, being space-effective and saving of building expenses;
2. The pump's rotor assembly is supported by rolling bearings on the two ends so that the pump can run smoothly;
3. The pump's inlet is in the horizontal direction and its outlet is laid out vertically and upwards, thus simplifying the pipeline;
4. The pump's motor adopts a horizontal structure, easy for maintenance.



结构示意图 Structure diagram



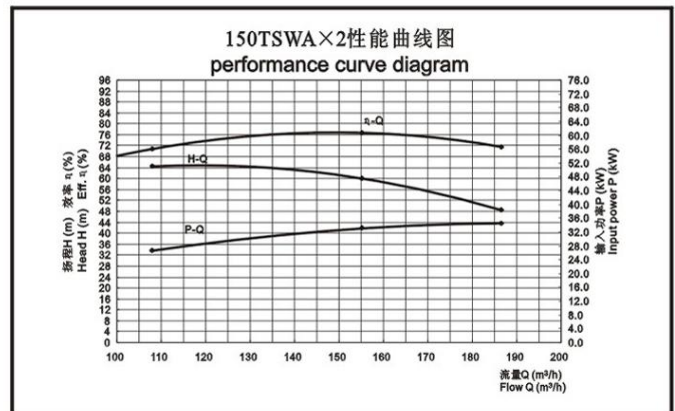
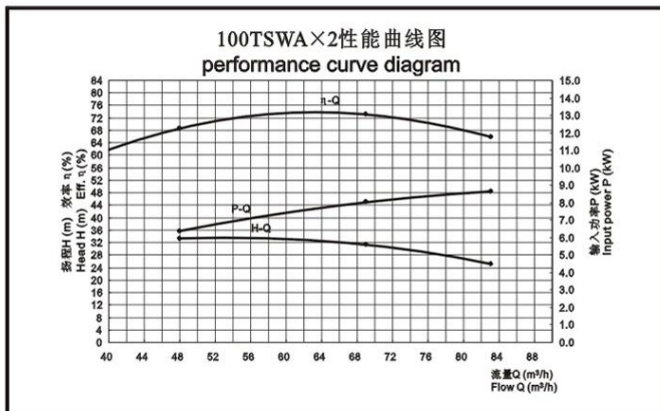
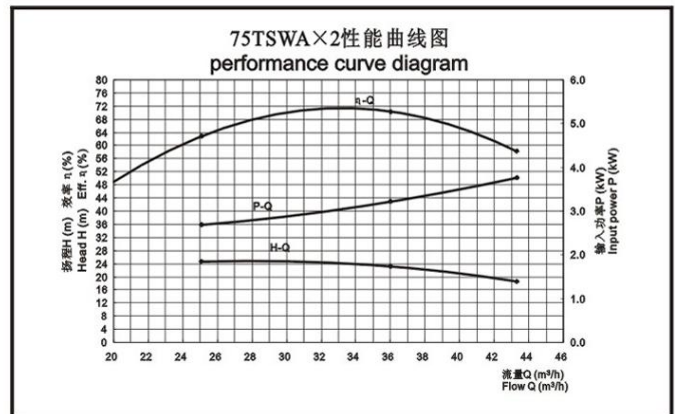
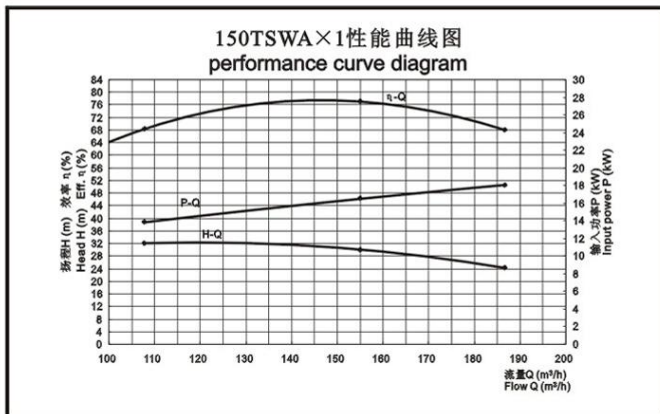
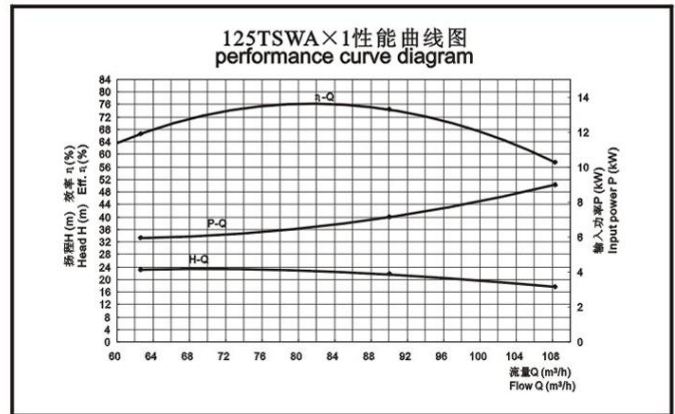
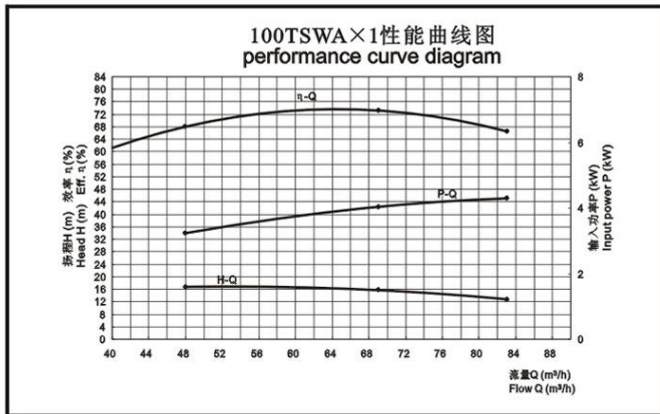
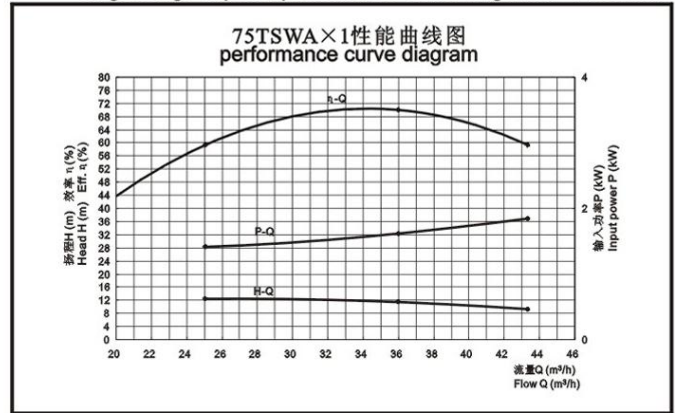
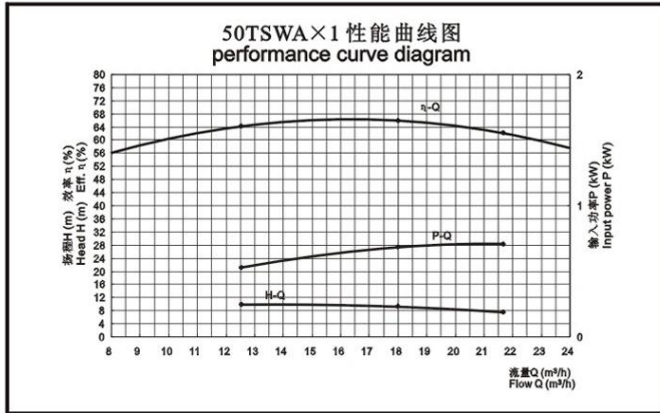
序号 No.	名称 Name	材料 Material	序号 No.	名称 Name	材料 Material	序号 No.	名称 Name	材料 Material	序号 No.	名称 Name	材料 Material
1	联轴器 Coupling	HT200	7	导叶 Guide vane	HT200	13	平衡盘 Balance disc	HT200	19	右轴承压盖 Right bearing gland	HT200
2	左轴承压盖 Left bearing gland	HT200	8	中段 Middle segment	HT200	14	填料体 Packing box body	HT200	20	左轴承压盖 Left bearing gland	Q235
3	左轴承座 Left bearing seat	HT200	9	末导叶 End guide vane	HT200	15	右轴承座 Right bearing seat	HT200	21	轴承 Bearing	锡青铜 Tin bronze
4	左填料压盖 Left packing gland	HT200	10	出水段 Water outlet segment	HT200	16	右填料压盖 Right packing gland	HT200	22	左轴承衬套 Left bearing bushing	Q235
5	进水段 Water inlet segment	HT200	11	平衡套 Balancing bush	HT200	17	右填料轴套 Right packing bushing	Q235	23	左填料轴套 Left packing bushing	Q235
6	叶轮 Impeller	HT200	12	平衡环 Balancing ring	HT200	18	右轴承衬套 Right bearing bushing	Q235	24	轴 Shaft	45或2Cr13 45 or 2Cr13



## 性能曲线 Performance curve diagram

## 一级叶轮性能曲线图 n=1450r/min

## Single-stage impeller performance curve diagram n=1450r/min





### 性能参数及安装尺寸 Performance parameters and installing dimensions

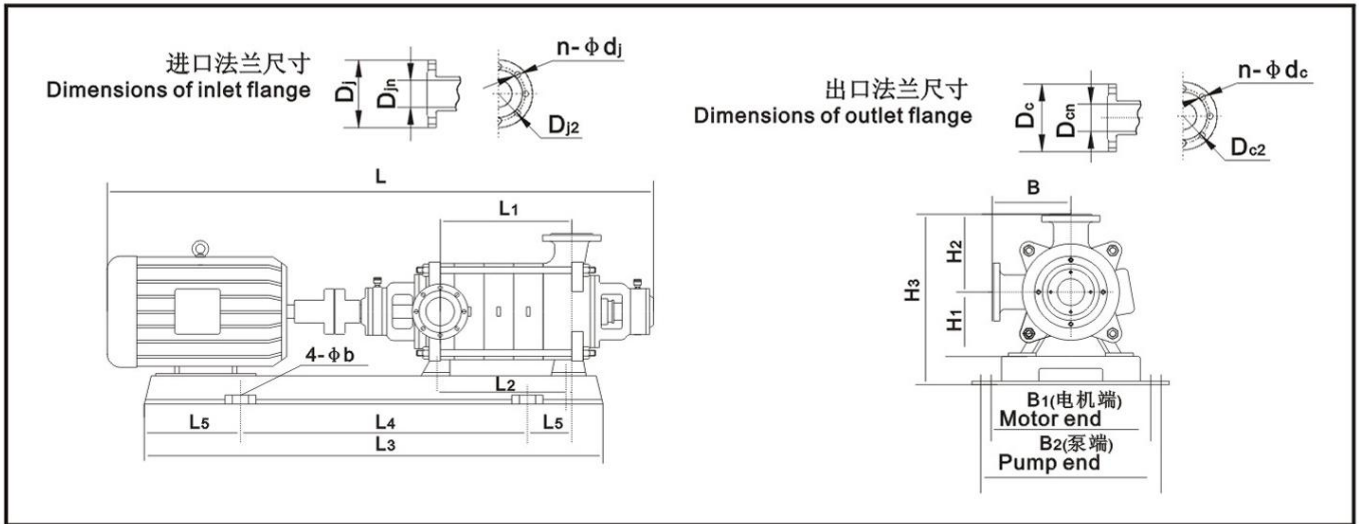
型号 Type	级数 Stage	流量 Flow (m³/h)	扬程 Head (m)	转速 Speed (r/min)	功率 Power (kW)	效率 Eff. (%)	外形尺寸及安装尺寸 Overall and installing dimensions									总重 Weight kg
							L	L <sub>1</sub>	L <sub>2</sub>	L <sub>3</sub>	L <sub>4</sub>	L <sub>5</sub>	H <sub>3</sub>	B <sub>1</sub>	B <sub>2</sub>	
50TSWA	2	15 18 22	20.0 18.4 16.8	1450	2.2	64 66 65	1087	160	145	901	600	33	480	335	430	233
	3	15 18 22	30.0 27.6 25.2		3	64 66 65	1152	225	210	901	600	98	480	335	430	272
	4	15 18 22	40.0 36.8 33.6		4	64 66 65	1237	290	275	974	640	128	480	375	430	291
	5	15 18 22	50.0 46.0 42.0		5.5	64 66 65	1377	355	340	1153	740	132	490	430	430	330
	6	15 18 22	60.0 55.2 50.4		5.5	64 66 65	1442	420	405	1153	740	197	490	430	430	346
	7	15 18 22	70.0 64.4 58.8		7.5	64 66 65	1547	485	470	1321	840	197	490	430	430	363
	8	15 18 22	80.0 73.6 67.2		7.5	64 66 65	1612	550	535	1321	840	262	490	430	430	430
	9	15 18 22	90.0 82.8 75.6		7.5	64 66 65	1677	615	600	1386	860	297	490	430	430	446
	10	15 18 22	100 92.0 84.0		11	64 66 65	1827	680	665	1593	900	362	490	430	430	513
	11	15 18 22	110.0 101.2 92.4		11	64 66 65	1892	745	730	1593	900	427	490	430	430	529
	12	15 18 22	120.0 110.4 100.8		11	64 66 65	1957	810	795	1658	920	462	490	430	430	545
	75TSWA	2	30 36 42		25.0 23.0 20.0	1450	5.5	68 70 68	1241	177	180	1046	690	89	535	410
3		30 36 42	37.5 34.5 30.0	7.5	68 70 68		1361	257	260	1046	690	128	545	410	475	303
4		30 36 42	50.0 46.0 40.0	11	68 70 68		1526	337	340	1284	830	171	545	475	475	353
5		30 36 42	62.5 57.5 50.0	11	68 70 68		1606	417	420	1284	830	211	545	475	475	434
6		30 36 42	75.0 69.0 60.0	15	68 70 68		1731	497	500	1488	980	245	545	475	475	477
7		30 36 42	87.5 80.5 70.0	15	68 70 68		1811	577	580	1488	980	245	545	475	475	515
8		30 36 42	100.0 92.0 80.0	18.5	68 70 68		1916	657	660	1653	1150	239	560	480	480	541
9		30 36 42	112.5 103.5 90.0	18.5	68 70 68		1996	737	740	1653	1150	239	560	480	480	583
100TSWA		2	62 69 80	32.4 31.2 28.0	1450		11	71.5 73 71	1575	255	200	1322	900	100	610	505
	3	62 69 80	48.6 46.8 42.0	15		71.5 73 71	1720	355	300	1322	900	149	610	505	505	455
	4	62 69 80	64.8 62.4 56.0	22		71.5 73 71	1885	455	400	1463	975	200	610	505	505	547
	5	62 69 80	81.0 78.0 70.0	30		71.5 73 71	2050	555	500	1701	1240	202	620	525	525	604
	6	62 69 80	97.2 93.6 84.0	30		71.5 73 71	2150	655	600	1701	1240	157	620	525	525	683
	7	62 69 80	113.4 109.2 98.0	37		71.5 73 71	2295	755	700	1959	1450	198	630	565	565	728
	8	62 69 80	129.6 124.8 112.0	45		71.5 73 71	2420	855	800	1959	1450	199	640	565	565	850
	9	62 69 80	145.8 140.4 126.0	45		71.5 73 71	2520	955	900	2059	1550	199	640	565	565	911



## 性能参数及安装尺寸 Performance parameters and installing dimensions

型号 Type	级数 Stage	流量 Flow (m <sup>3</sup> /h)	扬程 Head (m)	转速 Speed (r/min)	功率 Power (kW)	效率 Eff. (%)	外形尺寸及安装尺寸 Overall and installing dimensions								总重 Weight kg		
							L	L <sub>1</sub>	L <sub>2</sub>	L <sub>3</sub>	L <sub>4</sub>	L <sub>5</sub>	H <sub>3</sub>	B <sub>1</sub>		B <sub>2</sub>	
125TSWA	2	72 96 108	46.0 48.2 40.0	1450	22	72 75	1740	270	205	1312	990	220	670	500	500	672	
	3	72 96 108	69.0 64.8 60.0		30	72 75	1890	370	305	1449	1000	230	670	500	500	739	
	4	72 96 108	92.0 86.4 80.0		45	72 75	2060	470	405	1603	1100	240	680	520	520	832	
	5	72 96 108	115 108 100		55	72 75	2250	570	505	1774	1170	270	695	570	520	1016	
	6	72 96 108	138 129.6 120		75	72 75	2420	670	605	2005	1260	305	725	630	520	1217	
	7	72 96 108	161 151.2 140		75	72 75	2520	770	705	2005	1260	305	725	630	520	1409	
	8	72 96 108	184 172.8 160		90	72 75	2670	870	805	2243	1430	305	725	630	570	1476	
	9	72 96 108	207 194.4 180		90	72 75	2770	970	905	2243	1430	305	725	630	570	1559	
	150TSWA	2	119 155 191		85 90 82	1450	45	72 75	1964	315	237	1437	1000	80	720	720	575
3		119 155 191	97 90 82	75	72 75		2234	430	352	1735	1165	148	735	735	675	755	
4		119 155 191	130 120 109	90	72 75		2399	545	467	1922	1260	215	745	745	675	755	
5		119 155 191	162 150 137	110	72 75		2664	660	582	2129	1470	212	780	780	765	845	
6		119 155 191	194 184 164	132	72 75		2829	775	697	/	/	/	/	/	/	/	/
7		119 155 191	227 210 192	160	72 75		2944	890	812	/	/	/	/	/	/	/	/
8		119 155 191	259 249 219	200	72 75		3019	1005	927	/	/	/	/	/	/	/	/
9		119 155 191	292 270 248	200	72 75		3224	1120	1042	/	/	/	/	/	/	/	/

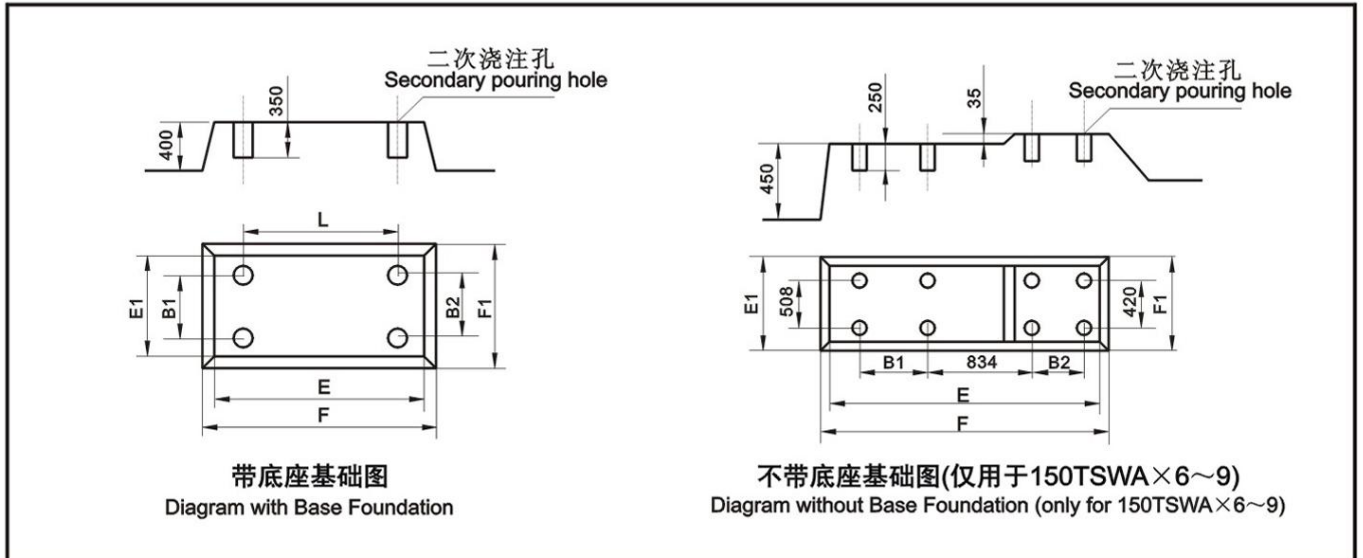
## 安装尺寸示意图 Installing Dimension Diagram



型号 Type	进口法兰(j) Inlet flange (j)				出口法兰(c) Outlet flange (c)				安装尺寸 Installing Dimension			底盘螺栓孔 Chassis bolt hole
	D <sub>jn</sub>	D <sub>j</sub>	D <sub>j2</sub>	n-φ <sub>dj</sub>	D <sub>cn</sub>	D <sub>c</sub>	D <sub>c2</sub>	n-φ <sub>dc</sub>	B	H <sub>1</sub>	H <sub>2</sub>	n-φ <sub>b</sub>
50TSWA	50	160	125	4-φ18	50	160	125	4-φ18	210	190	210	25
75TSWA	80	195	160	4-φ18	80	195	160	4-φ18	250	205	250	
100TSWA	100	230	190	8-φ23	100	230	190	8-φ23	310	220	300	30
125TSWA	125	270	220	8-φ25	125	270	220	8-φ25	320	260	320	
150TSWA	150	280	240	8-φ23	150	300	250	8-φ25	350	280	350	



基础安装尺寸示意图 Diagram of Installing Dimensions of Foundation



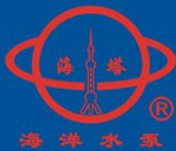
基础尺寸表 Foundation Dimension Table

型号 Type	级数 Stage	基础尺寸表 Foundation Dimension Table						
		L	B <sub>1</sub>	B <sub>2</sub>	E	F	E <sub>1</sub>	F <sub>1</sub>
50TSWA	2	600	335	430	1100	1150	700	750
	3	600	335	430	1100	1150	700	750
	4	640	375	430	1170	1220	700	750
	5	740	430	430	1350	1400	700	750
	6	740	430	430	1350	1400	700	750
	7	840	430	430	1520	1570	700	750
	8	840	430	430	1520	1570	700	750
	9	860	430	430	1600	1650	700	750
	10	900	430	430	1800	1850	700	750
	11	900	430	430	1800	1850	700	750
	12	920	430	430	1900	1950	700	750
	75TSWA	2	690	410	475	1250	1300	750
3		690	410	475	1250	1300	750	800
4		830	475	475	1500	1550	750	800
5		830	475	475	1500	1550	750	800
6		980	475	475	1700	1750	750	800
7		980	475	475	1700	1750	7750	800
8		1150	480	480	1850	1900	750	800
9		1150	480	480	1850	1900	750	800
10		1250	480	480	2050	2100	750	800
11		1250	480	480	2050	2100	750	800
100TSWA	2	900	505	505	1520	1570	800	850
	3	900	505	505	1520	1570	800	850
	4	975	505	505	1660	1710	800	850

型号 Type	级数 Stage	基础尺寸表 Foundation Dimension Table						
		L	B <sub>1</sub>	B <sub>2</sub>	E	F	E <sub>1</sub>	F <sub>1</sub>
100TSWA	5	1240	525	525	1900	1950	800	850
	6	1240	525	525	1900	1950	800	850
	7	1450	565	565	2160	2210	850	900
	8	1450	565	565	2160	2210	850	900
	9	1550	565	565	2260	2310	850	900
	10	1650	600	600	2450	2500	900	950
125TSWA	2	990	500	500	1600	1650	850	900
	3	1000	500	500	1750	1800	850	900
	4	1100	520	520	1950	2000	850	900
	5	1170	570	520	2150	2200	900	950
	6	1260	630	520	2450	2500	950	1000
	7	1260	630	520	2450	2500	950	1000
	8	1430	630	570	2650	2700	950	1000
	9	1430	630	570	2750	2800	950	1000
	10	1580	630	570	2900	2950	950	1000
150TSWA	2	1000	675	605	1650	1700	900	950
	3	1165	675	610	1950	2000	950	1000
	4	1260	675	610	2150	2200	950	1000
	5	1470	675	620	2350	2400	1050	1100
	6	1150	457	697	2450	2500	1050	1100
	7	1250	457	812	2550	2600	1050	1100
	8	1350	508	927	2700	2750	1050	1100
	9	1500	508	1042	2800	2850	1050	1100



由于我们在不断努力改进产品，我们保留样本数据更改的权利，敬主谅解。



Shanghai Sea  
Pump & Valve Mfg Co.,ltd

**上海海洋泵阀制造有限公司**

地址：上海市金山区山阳镇山富东路365号  
电话：(0086)-021-63546554 63803848  
传真：(0086)-021-33550508  
网址：www.sea-pump.com  
邮箱：seapump@foxmail.com

ADD: 365# Shan Fu East Road Jinshan District Shanghai  
TEL: (0086)-021-63546554 63803848  
FAX: (0086)-021-33550508  
Http://www.sea-pump.com  
E-mail:seapump@foxmail.com